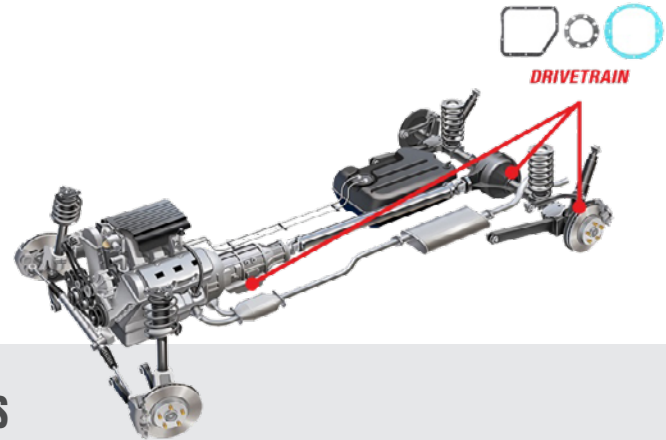




# Fel-Pro® Drivetrain Gaskets

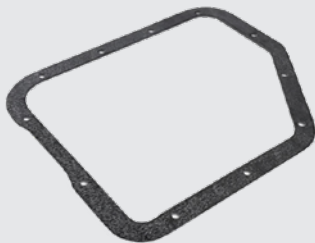
## WHAT IS A DRIVETRAIN GASKET?

Drivetrain gaskets—including automatic transmission pan gaskets, differential cover gaskets and rear axle flange gaskets—are a vital part of a vehicle's sealing system. These important gaskets keep fluids where they belong—lubricating drivetrain internal parts. Leaks from drivetrain gaskets may lead to premature wear and possibly more expensive repairs.



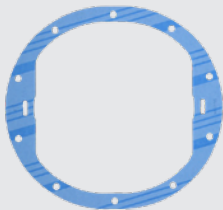
## GASKETS DESIGNED TO SEAL IMPERFECT SURFACES

In most cases, drivetrain gaskets are replaced when the fluids in the drivetrain or parts are being changed. When you need replacement gaskets, Fel-Pro drivetrain gaskets are the right choice. Fel-Pro drivetrain gaskets are designed for the imperfect sealing surfaces found in the repair environment. Fel-Pro gaskets are engineered, tested and manufactured to deliver a reliable seal.



**Automatic Transmission Pan Gaskets**—Fel-Pro automatic transmission pan gaskets are manufactured using multiple application-specific technologies and match the vehicle's requirements. One of Fel-Pro's technologies is a premium synthetic rubber that is tough, durable, oil resistant and highly conformable. These gaskets are made with a steel carrier and molded rubber to help resist crushing and extruding caused by dimpled or deformed oil pan flanges. Fel-Pro has incorporated an installation aid to help speed installation and provide a more effective seal.

Fel-Pro automatic transmission pan gaskets use the exclusive Hole-Lock design to hold the gasket and bolts in place as the pan is installed onto the vehicle. This feature also eliminates the need to use contact adhesive or RTV on the pan gasket, which could contaminate fluids and damage the transmission.



**Differential Cover Gaskets**—Fel-Pro's complete line of differential cover gaskets are application-specific and match vehicle requirements. They are the ideal replacement for leaking gaskets, gaskets replaced due to fluid changes, gaskets previously sealed with RTV, and during repairs. Fel-Pro differential cover gasket technologies include a steel carrier with molded rubber, proprietary Blue Stripe® rubber-fiber material, and may be enhanced with Printoseal® sealing beads for added sealing assurance.



**Rear Axle Flange Gaskets**—A full range of rear axle flange gaskets are available from Fel-Pro. These gaskets are used between the axle flange and the brake backing plate or differential housing to keep fluid in and contaminants out, and should be replaced whenever the axles or backing plates are removed for service. Fel-Pro rear axle flange gaskets are made of either proprietary rubber-fiber material or thin embossed steel.

Learn more about [Fel-Pro quality gaskets](#) that are specifically designed for the repair environment, find your [car part](#) or find where to buy your [auto part](#) today.

The content contained in this article is for informational purposes only and should not be used in lieu of seeking professional advice from a certified technician or mechanic. We encourage you to consult with a certified technician or mechanic if you have specific questions or concerns relating to any of the topics covered herein. Under no circumstances will we be liable for any loss or damage caused by your reliance on any content.