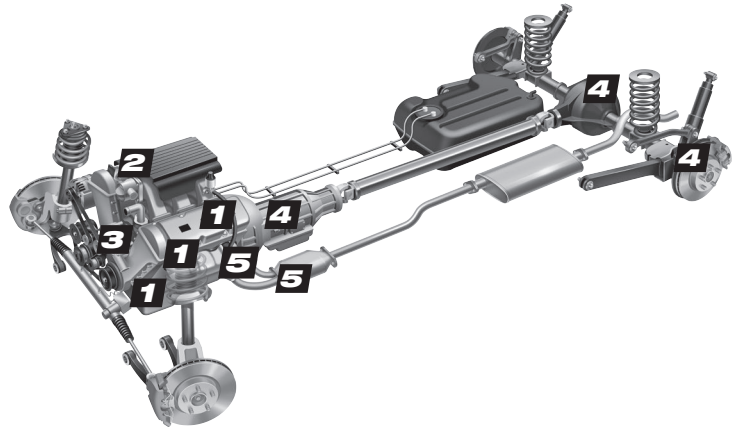


Leak Inspection Checklist

Leaks don't just cause unsightly stains—they can lead to serious problems if not repaired. That's why Fel-Pro® provides gaskets that are designed specifically for the repair environment to help seal imperfect sealing surfaces. Our application-specific technologies, such as PermaTorque® MLS and PermaDryPlus®, and installation aids help ensure a reliable seal on even the most troublesome applications.

OWNER INFORMATION	
OWNER _____	
VEHICLE INFORMATION	
MAKE _____	MODEL _____
YEAR _____	MILEAGE _____ DATE _____



PERMADRYPLUS **PERMATORQUE MLS**

POTENTIAL GASKET PROBLEMS

1 ENGINE GASKETS

TYPICAL LEAK SYMPTOM(S): Coolant and/or oil visible

Suspected leak source

- Head gasket
- Intake manifold gasket
- Crankshaft seals
- Timing cover gasket
- Valve cover gasket
- Oil pan gasket
- Other _____

Reason(s) for suspecting leak: _____

2 FUEL SYSTEM

TYPICAL LEAK SYMPTOM(S): Fuel visible/strong fuel smell/rough running/MIL illumination

Suspected leak source

- TBI gasket
- Fuel injector o-rings
- Carburetor mounting gasket

Reason(s) for suspecting leak: _____

3 COOLING SYSTEM

TYPICAL LEAK SYMPTOM(S): Coolant visible/low coolant levels

Suspected leak source

- Water pump gasket
- Water outlet gasket
- Thermostat gasket
- Other _____

Reason(s) for suspecting leak: _____

4 DRIVETRAIN

TYPICAL LEAK SYMPTOM(S): Visible fluid and/or low fluid levels

Suspected leak source

- Differential gasket/axle seal
- Transfer case gasket/driveshaft seal
- Automatic trans gasket/axle seal
- Transaxle gasket/axle seal

Reason(s) for suspecting leak: _____

5 EXHAUST SYSTEM

TYPICAL LEAK SYMPTOM(S): Noise/soot/rough running

Suspected leak source

- EGR valve gasket
- Exhaust manifold gasket
- Flange gasket
- Converter-to-pipe gasket

Reason(s) for suspecting leak: _____

While servicing your vehicle today, I noticed some symptoms that indicate your car may have a leak (or leaks). I have noted the suspected areas and my reasons for concern above.

To guard your vehicle against possible component damage, maintain its performance, extend its life, and to protect the environment, we recommend following up with your preferred repair specialist as soon as possible.

TECHNICIAN PERFORMING INSPECTION _____

DATE _____

ADDITIONAL NOTES: